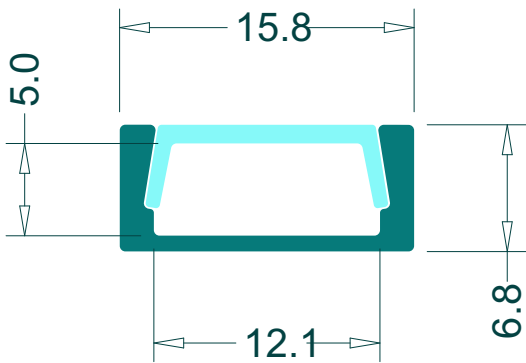
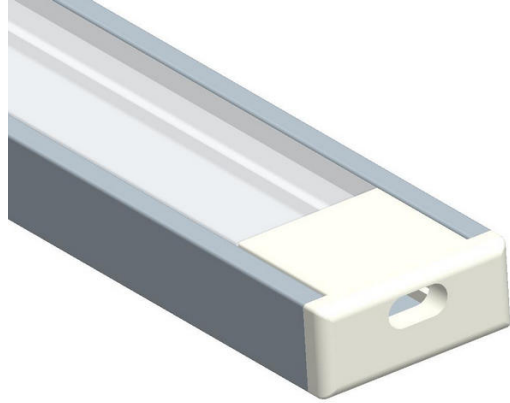


AP-001-U-W15.8-H6.8-D4-L12



▼ Parameters

Width	15.8 / mm
Height	6.8 / mm
Diffuse Distance	4 / mm
Led Strip Width	/ mm

▼ Related Products

- LED Strip
- Cable & Connector
- Power Supplier
- Controller

▼ Download

2D dxf

3D stp



www.dengtec.com | info@dengtec.com | +86 0512 5013 3094
#5 Xinxing RD KunShan CT JiangSu Province China

Dengtec Electronic Technology Co., Ltd