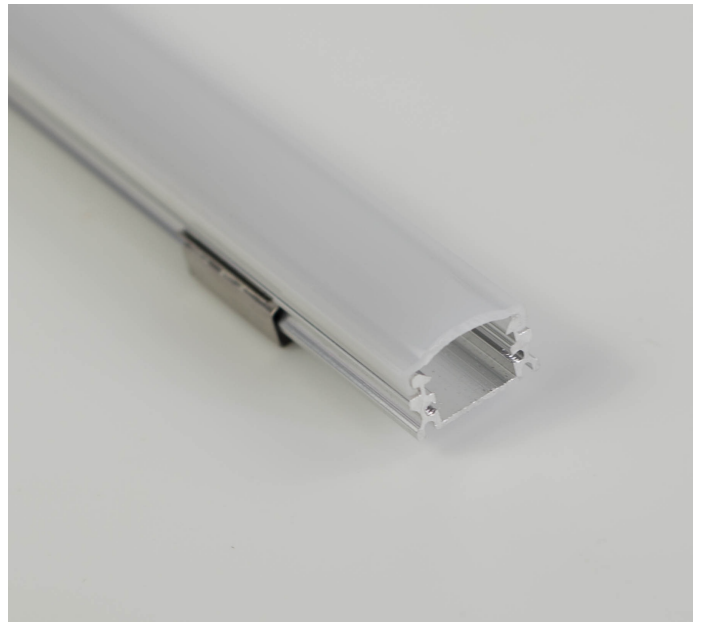
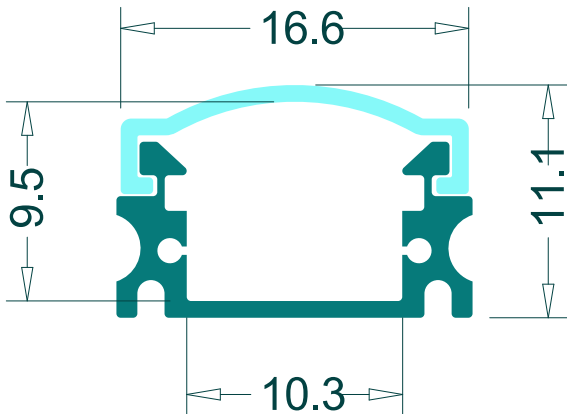
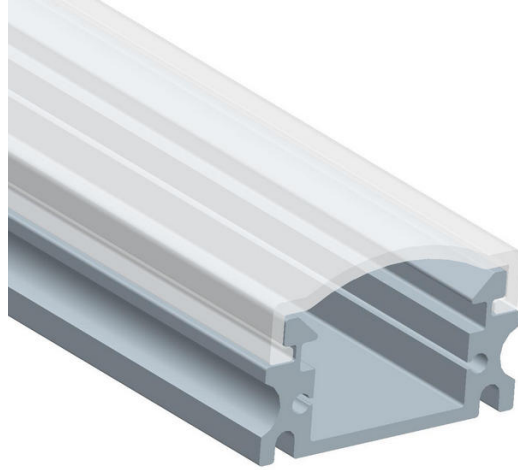


AP-016-U-W16.6-H11.1-D8.5-L10.3



▼ Parameters

Width	16.6 / mm
Height	11.1 / mm
Diffuse Distance	8.5 / mm
Led Strip Width	/ mm

▼ Related Products

- LED Strip
- Cable & Connector
- Power Supplier
- Controller

▼ Download

2D dxf

3D stp



www.dengtec.com | info@dengtec.com | +86 0512 5013 3094
#5 Xinxing RD KunShan CT JiangSu Province China

Dengtec Electronic Technology Co., Ltd