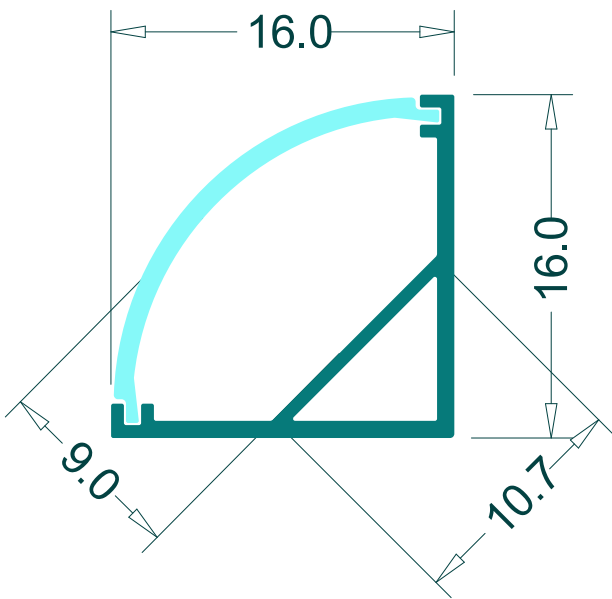
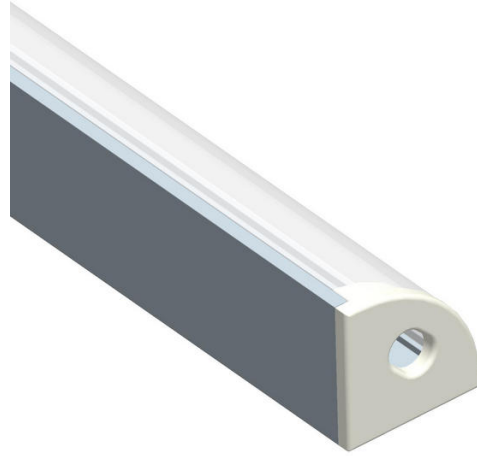


# AP-017-L-W16-H16-D8-L10.7



## ▼ Parameters

Width	16 / mm
Height	16 / mm
Diffuse Distance	8 / mm
Led Strip Width	/ mm

## ▼ Related Products

- LED Strip
- Cable & Connector
- Power Supplier
- Controller

## ▼ Download

[2D dxf](#)[3D stp](#)

www.dengtec.com | info@dengtec.com | +86 0512 5013 3094  
#5 Xinxing RD KunShan CT JiangSu Province China

Dengtec Electronic Technology Co., Ltd